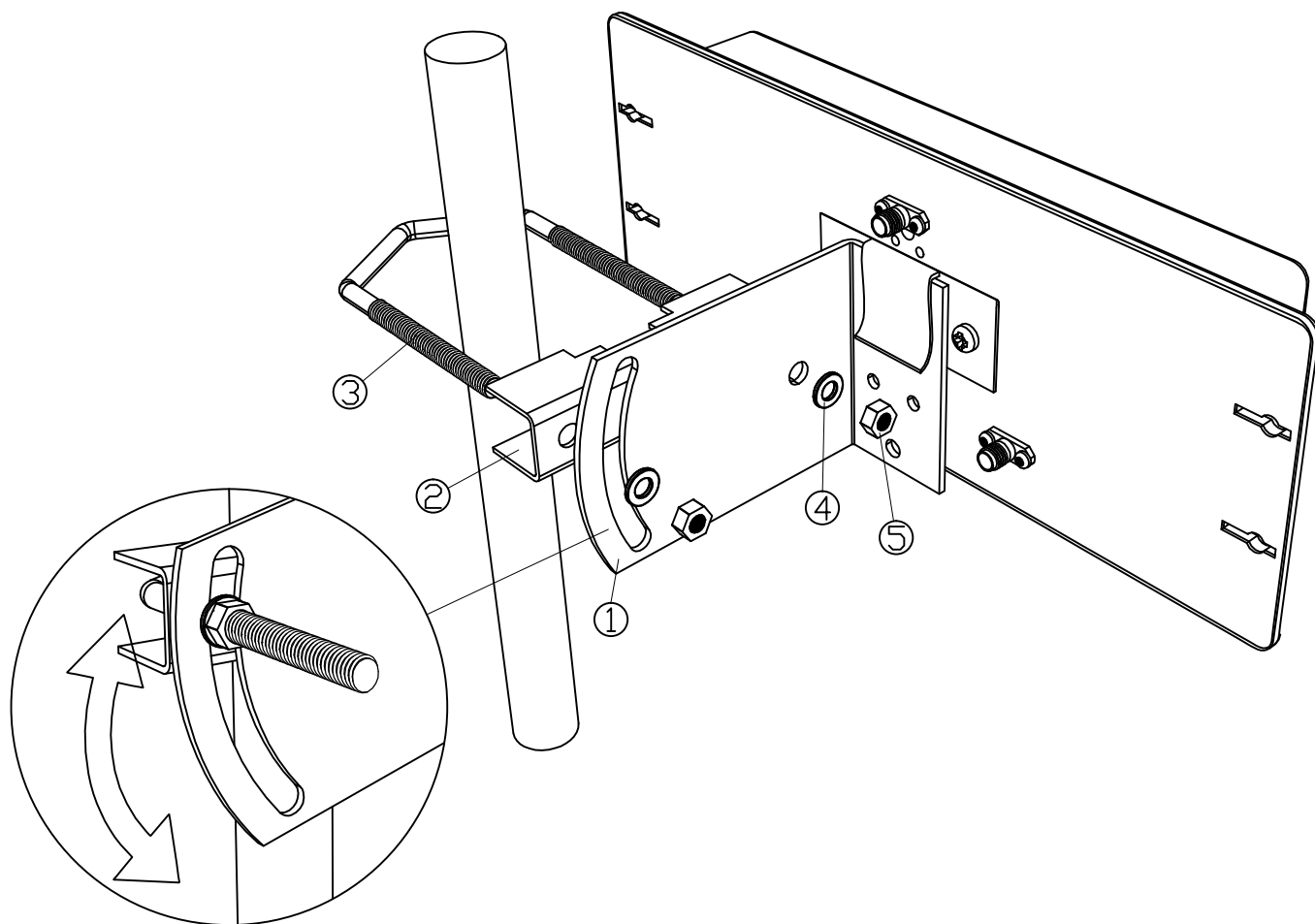


# 5GHz Dual Polarization PANEL Antenna II



## ACCESSORIES

①  \* 1 PC

③  \* 1 PC

⑤  \* 2 PC

②  \* 1 PC

④  \* 2 PC