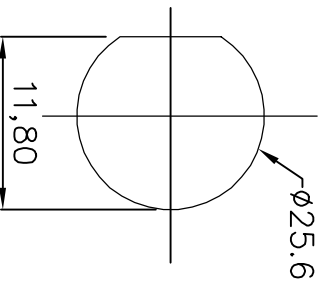
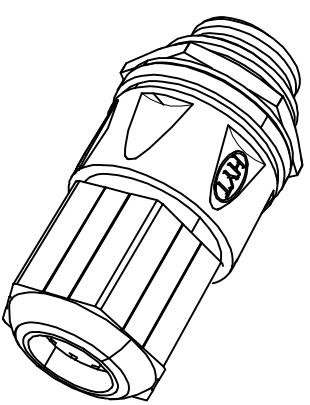
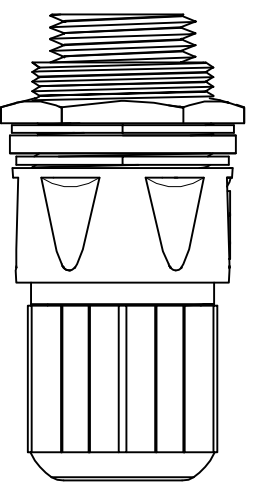
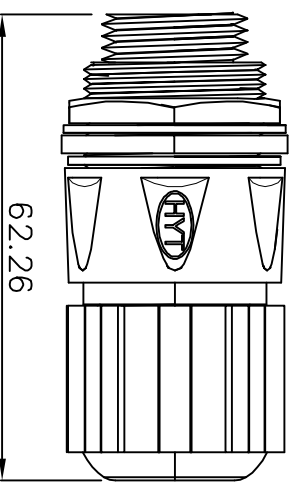



REV	DATE	DESCRIPTION	DRAWN

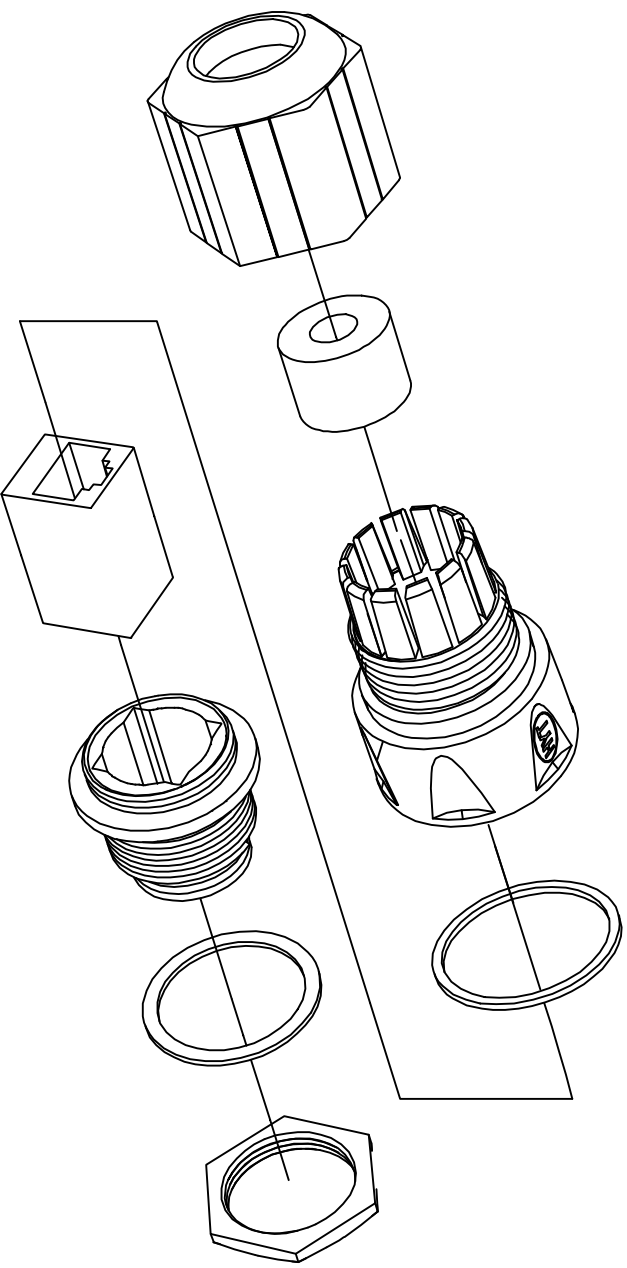


Hole dimension


NOTE	DIMENSION
1. STRIP ALL BURRS.	UNLESS OTHERWISE NOTED TOLERANCES 0.X = ±0.2 0.XX = ±0.1 0.XXX = ±0.05
2. ALL DIMENSIONS ARE AFTER PLATING.	
3. DIAMETERS ON COMMON CENTERS TO BE CONCENTRIC WITHIN 0.1 T.I.R	
4. CHAMFER 1ST & LAST THREADS 45°	
5. BREAK ALL CORNERS & EDGES CO.15 MAX.	

 華耀科技有限公司 <i>Hua Yao Technologies co.,Ltd</i>	
TITLE Ethernet Waterproof Connector ASSY-1	
DRAWING NO. OW-RJ-01	DRAWN DATE 08/07/10
APPROVED	CHECKED
DRAWN ALICE	SCALE 4:1
UNIT mm	

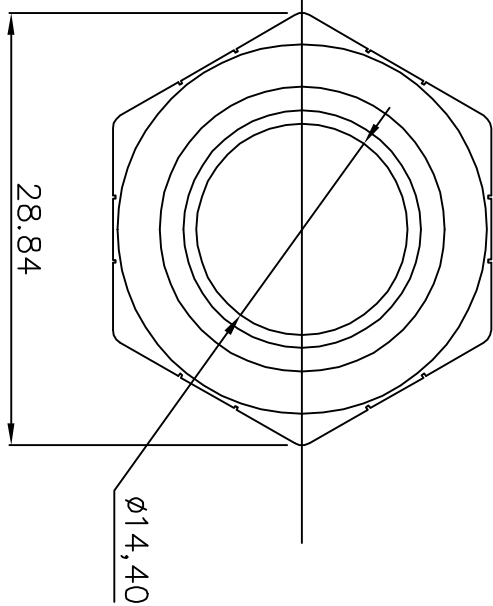
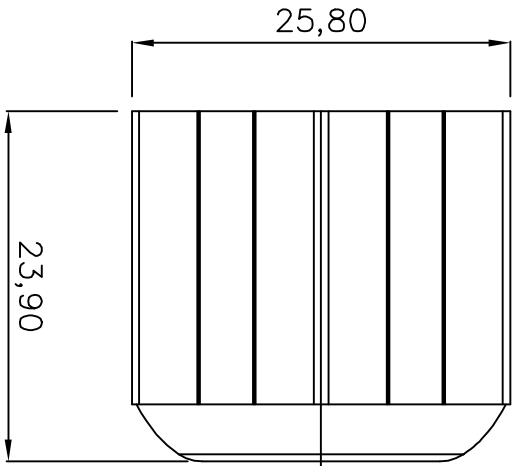
REV	DATE	DESCRIPTION	DRAWN



NOTE	DIMENSION
1. STRIP ALL BURRS.	UNLESS OTHERWISE
2. ALL DIMENSIONS ARE	NOTED TOLERANCES
3. DIAMETERS ON COMMON	0.X = ±0.2
CENTERS,	0.XX = ±0.1
TO BE CONCENTRIC	0.XXX = ±0.05
4. CHAMFER 1ST & LAST	
5. BREAK ALL CONNERS &	
EDGES CO:1.5 MAX.	

 華耀科技有限公司 <i>Hua Yao Technologies co.,Ltd</i>	
TITLE Ethernet Waterproof Connector ASSY-2	
DRAWING NO. OW-RJ-01	DRAWN DATE 08/07/10
APPROVED	CHECKED
DRAWN ALICE	SCALE 4:1
	UNIT mm

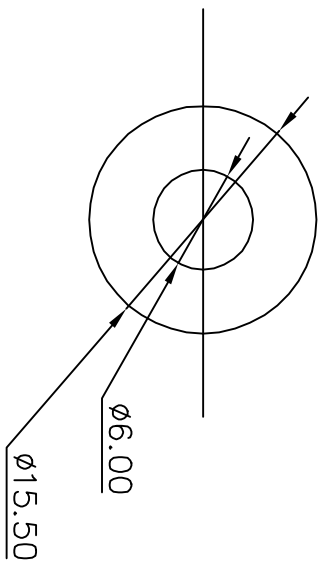
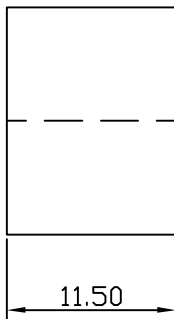
REV	DATE	DESCRIPTION	DRAWN



NOTE	DIMENSION
1. STRIP ALL BURRS.	UNLESS OTHERWISE NOTED TOLERANCES
2. ALL DIMENSIONS ARE AFTER PLATING.	0.X = ± 0.2
3. DIAMETERS ON COMMON CENTERS TO BE CONCENTRIC WITHIN 0.1 T.I.R	0.XX = ± 0.1
4. CHAMFER 1ST & LAST THREADS 45°	0.XXX = ± 0.05
5. BREAK ALL CORNERS & EDGES CO:1.5 MAX.	

 華耀科技有限公司 <i>Hua Yao Technologies co.,Ltd</i>	
TITLE 三段式防水接頭—上蓋	
DRAWING NO. Y0094	DRAWN DATE 08/07/10
APPROVED	CHECKED
DRAWN ALICE	SCALE 4:1
UNIT mm	

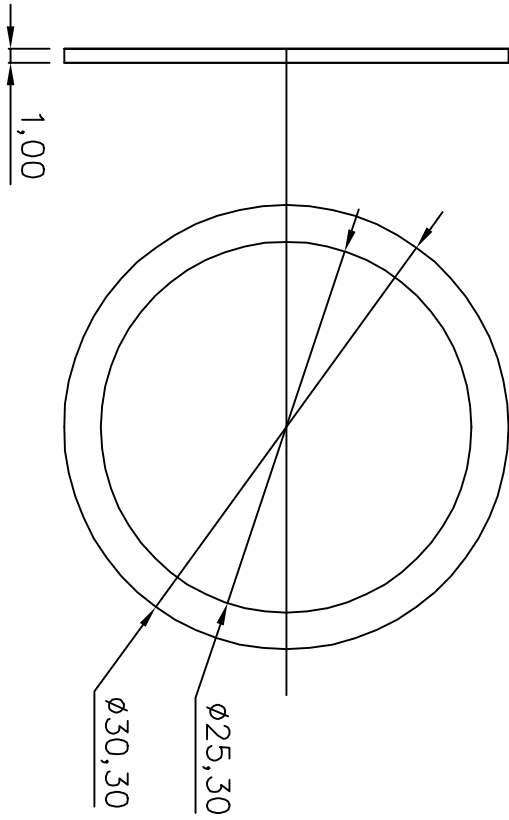
REV	DATE	DESCRIPTION	DRAWN



NOTE	DIMENSION
1. STRIP ALL BURRS.	UNLESS OTHERWISE NOTED TOLERANCES 0.X = ± 0.2 0.XX = ± 0.1 0.XXX = ± 0.05
2. ALL DIMENSIONS ARE AFTER PLATING.	
3. DIAMETERS ON COMMON CENTERS TO BE CONCENTRIC WITHIN 0.1 T.I.R.	
4. CHAMFER 1ST & LAST THREADS 45°.	
5. BREAK ALL CORNERS & EDGES CO.15 MAX.	

 華耀科技有限公司 <i>Hua Yao Technologies co.,Ltd</i>	
高拉矽膠	
TITLE	
DRAWING NO.	Y0108
APPROVED	DRAWN DATE 08/07/10
CHECKED	SCALE 4:1
DRAWN	UNIT mm
ALICE	

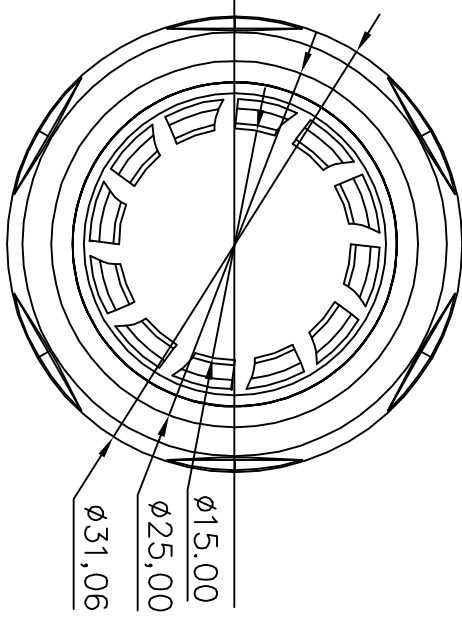
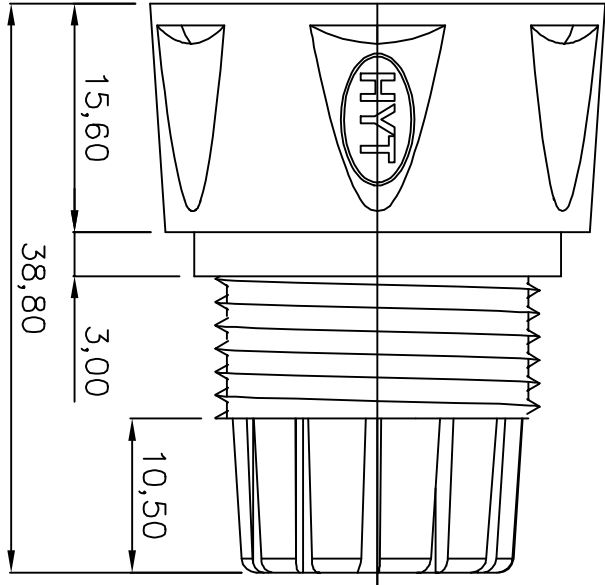
REV	DATE	DESCRIPTION	DRAWN



NOTE	DIMENSION
1. STRIP ALL BURRS	UNLESS OTHERWISE NOTED TOLERANCES 0.X = ±0.2 0.XX = ±0.1 0.XXX = ±0.05
2. ALL DIMENSIONS ARE AFTER PLATING	
3. DIAMETERS ON COMMON CENTERS TO BE CONCENTRIC WITHIN 0.1 T.I.R	
4. CHAMFER 1ST & LAST THREADS 45°	
5. BREAK ALL CORNERS & EDGES CO:1.5 MAX.	

 華耀科技有限公司 <i>Hua Yao Technologies co., Ltd.</i>	
TITLE 三段式防水接頭—防水墊片	
DRAWING NO. Y0089	DRAWN DATE 08/07/10
APPROVED	CHECKED
DRAWN ALICE	SCALE 4:1
UNIT mm	

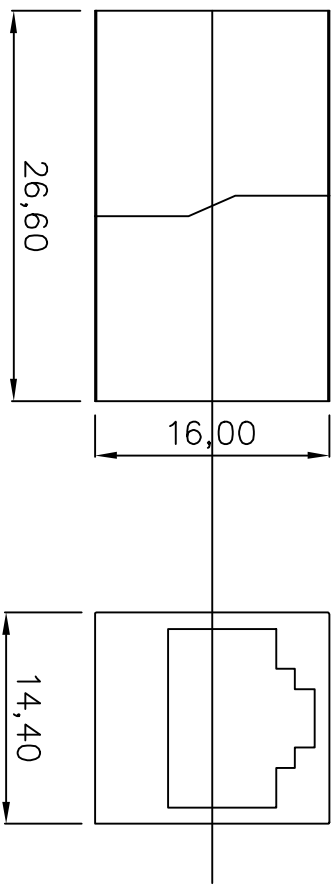
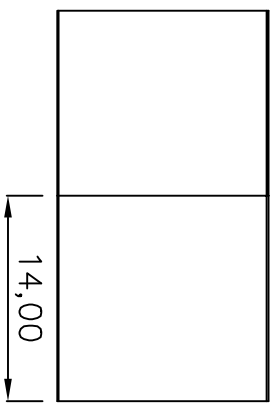
REV	DATE	DESCRIPTION	DRAWN




NOTE	DIMENSION
1. STRIP ALL BURRS.	UNLESS OTHERWISE NOTED TOLERANCES 0.X = ± 0.2 0.XX = ± 0.1 0.XXX = ± 0.05
2. ALL DIMENSIONS ARE AFTER PLATING.	
3. DIAMETERS ON COMMON CENTERS TO BE CONCENTRIC WITHIN 0.1 T.I.R.	
4. CHAMFER 1ST & LAST THREADS 45°.	
5. BREAK ALL CORNERS & EDGES CO.15 MAX.	

 華耀科技有限公司 Hua Yao Technologies co.,Ltd	
TITLE 三段式防水接頭—主體	
DRAWING NO. Y0088	
APPROVED	DRAWN DATE 08/07/10
CHECKED	SCALE 4:1
DRAWN ALICE	UNIT mm

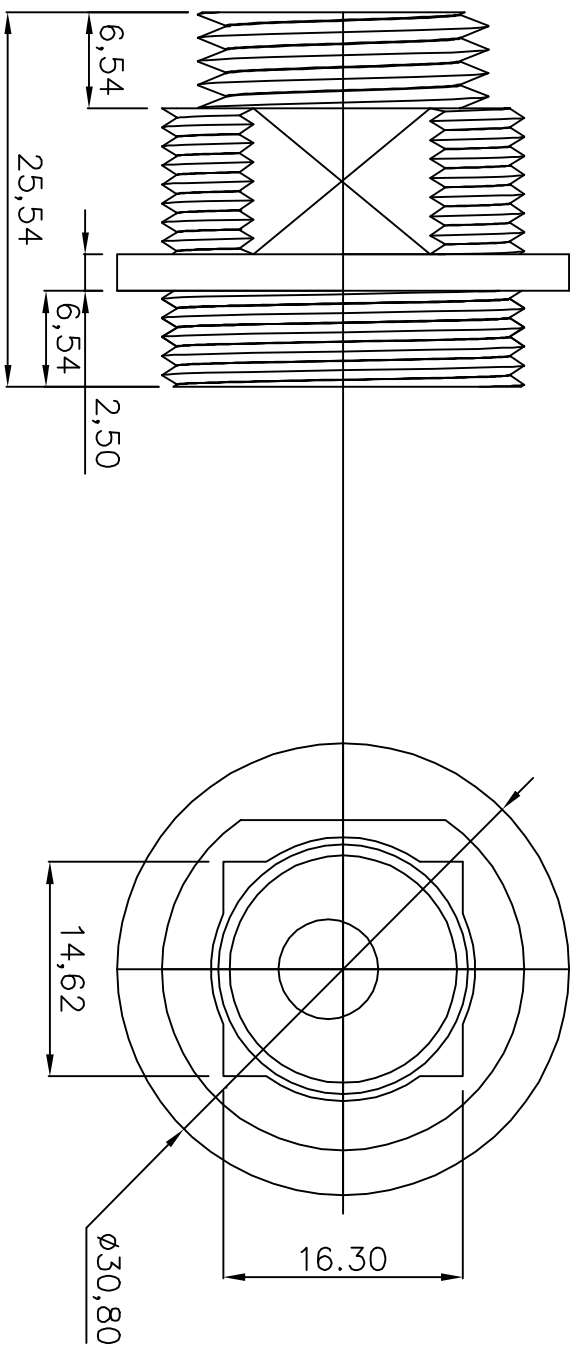
REV	DATE	DESCRIPTION	DRAWN



NOTE	DIMENSION
1. STRIP ALL BURRS.	UNLESS OTHERWISE NOTED TOLERANCES 0.X = ±0.2 0.XX = ±0.1 0.XXX = ±0.05
2. ALL DIMENSIONS ARE AFTER PLATING.	
3. DIAMETERS ON COMMON CENTERS TO BE CONCENTRIC WITHIN 0.1 T.I.R.	
4. CHAMFER 1ST & LAST THREADS 45°.	
5. BREAK ALL CORNERS & EDGES CO:1.5 MAX.	

 華耀科技有限公司 Hua Yao Technologies co.,Ltd	
TITLE: 三段式防水接頭-RJ45轉接頭 DRAWING NO: Y0092	
APPROVED: _____ CHECKED: _____	DRAWN DATE: 08/07/10 SCALE: 4:1
DRAWN: ALICE	UNIT: mm

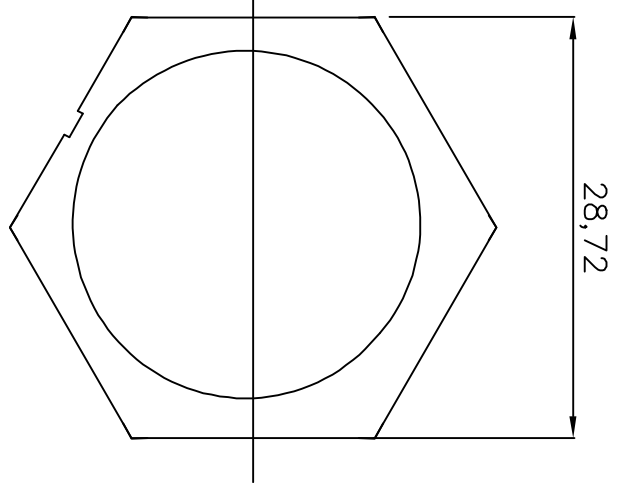
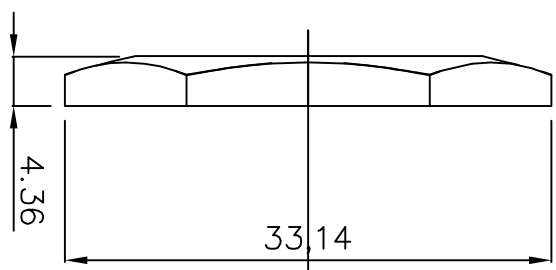
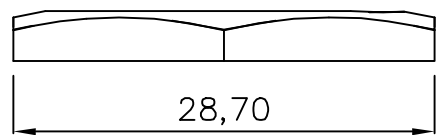
REV	DATE	DESCRIPTION	DRAWN



NOTE	DIMENSION
1. STRIP ALL BURRS.	UNLESS OTHERWISE NOTED TOLERANCES
2. ALL DIMENSIONS ARE AFTER PLATING.	0.X = ±0.2
3. DIAMETERS ON COMMON CENTERS TO BE CONCENTRIC WITHIN 0.1 T.I.R.	0.XX = ±0.1
4. CHAMFER 1ST & LAST THREADS 45°.	0.XXX = ±0.05
5. BREAK ALL CORNERS & EDGES CO:1.5 MAX.	

 華耀科技有限公司 Hua Yao Technologies co.,Ltd	
TITLE 三段式防水接頭-主體	
DRAWING NO. Y0093	DRAWN ALICE
APPROVED	SCALE 4:1
CHECKED	UNIT mm
DRAWN DATE 08/07/10	

REV	DATE	DESCRIPTION	DRAWN



NOTE	DIMENSION
1. STRIP ALL BURRS.	UNLESS OTHERWISE NOTED TOLERANCES 0.X = ±0.2 0.XX = ±0.1 0.XXX = ±0.05
2. ALL DIMENSIONS ARE AFTER PLATING.	
3. DIAMETERS ON COMMON CENTERS TO BE CONCENTRIC WITHIN 0.1 T.I.R	
4. CHAMFER 1ST & LAST THREADS 45°	
5. BREAK ALL CORNERS & EDGES CO:1.5 MAX.	

 華耀科技有限公司 Hua Yao Technologies co.,Ltd	
TITLE 三段式防水接頭一螺帽 DRAWING NO. Y0090	
APPROVED CHECKED	DRAWN DATE SCALE
DRAWN ALICE	UNIT mm