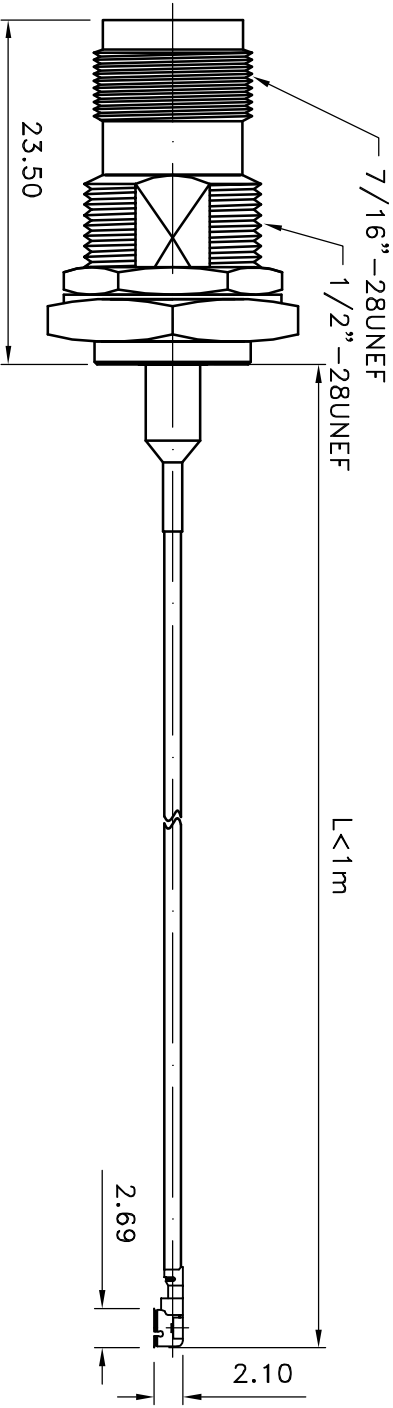


REV	DATE	DESCRIPTION	DRAWN



NO	DESCRIPTION	MATERIAL	FINISH	Q'ty
3	IPEX-2601-1-I-DGG	BRASS	GOLD	1
2	1.13 CABLE			1
1	TNC-1514-2-L-TGN	BRASS	NICKEL	1

NOTE	DIMENSION
1. STRIP ALL BURRS.	UNLESS OTHERWISE
2. ALL DIMENSIONS ARE	NOTED TOLERANCES
3. DIAMETERS ON COMMON	0.X=±0.2
4. CHAMFER 1ST & LAST	0.XX=±0.1
5. BREAK ALL CORNERS &	CABLE LENGTH:
EDGES CO.15 MAX.	>1000=+10
	<1000=+3
	-0.8


華耀科技有限公司
 Hua Yao Technologies co.,Ltd

TITLE	TNC1514-IPEX2601
DRAWING NO.	1514211326011-RL
APPROVED	
CHECKED	
DRAWN	ALICE
SCALE	2:1
UNIT	mm
DRAWN DATE	08/11/26