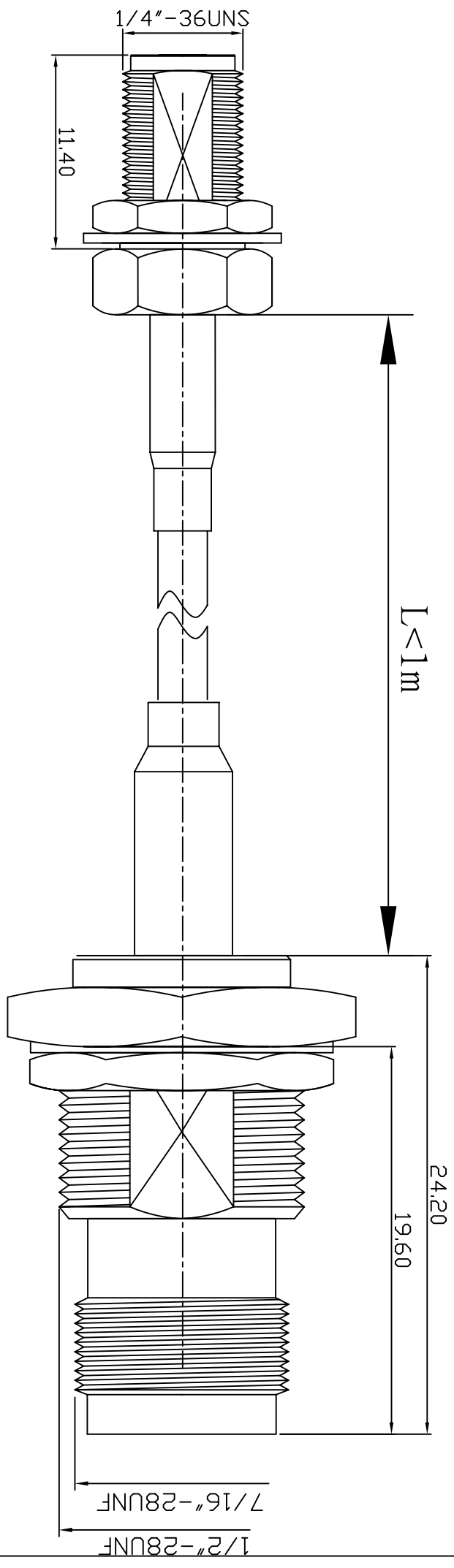



REV	DESCRIPTION	DRAWN	DATE



NO	Description	Qty	Material	Finish
3	TNC-1514-11-F-TGN	1	BRASS	NICKEL
2	LLC200/RG58	1		
1	SMA-1012-33-F2-TGG	1	BRASS	GOLD

1 REMOVE ALL BURRS 2 BREAK ALL CORNERS & EDGES CO.15 MAX. 3 CHAMFER 15° & LAST THREADS 45°. 4 DIAMETERS ON COMMON CENTERS 5. ALL DIMENSIONS ARE AFTER PLATING.		*MAJOR DIMENSION UNLESS OTHERWISE NOTED TOLERANCES 0.5-6=±0.2 6-30=±0.4 30-120=±0.6 120-315=±1.0 ANGLES=±1°		APPROVED CHECKED DRAWN ARNO		 華耀科技有限公司 Hua Yao Technologies co.,Ltd	
SCALE	7/2	UNIT	MM	DRAWN DATE	03/06/21	FILE NO.	D:\DVG\SMA1012-TNC1511\101233/200/58/151411-1L
				TITLE	SMA1012-TNC1511		
				DRAWING NO.	101233/200/58/151411-1L		
				REV	A		