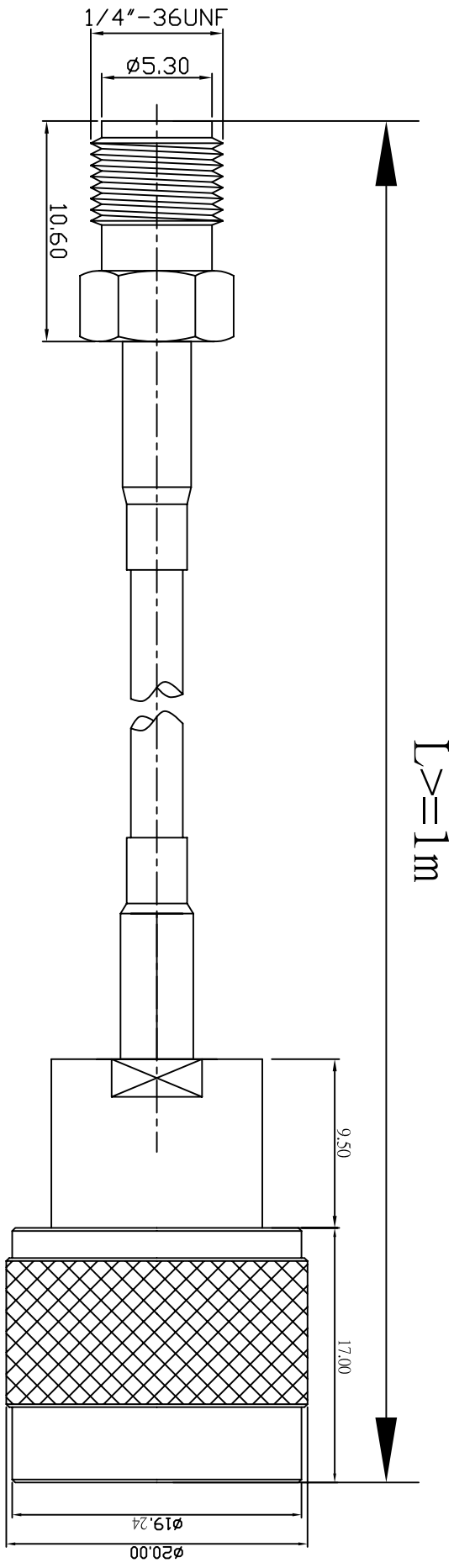


REV	DESCRIPTION	DRAWN	DATE



NO	Description	Qty	Material	Finish
3	N-1158-2-L-TGN	1	BRASS	GOLD
2	RG174/RG316/LLC100	1		
1	SMA-1011-1-L-TGC	1	BRASS	GOLD

UNLESS OTHERWISE SPECIFIED		*MAJOR DIMENSION	
1 REMOVE ALL BURRS		UNLESS OTHERWISE	
2 BREAK ALL CORNERS & EDGES CO.15 MAX.		NOTED TOLERANCES	
3 CHAMFER 1ST & LAST THREADS 45°		0.5-6 = ±0.2	
4 DIAMETERS ON COMMON CENTERS TO BE CONCENTRIC WITHIN DIMENSIONS ARE AFTER PLATING.		6-30 = ±0.4	
		30-120 = ±0.6	
		120-315 = ±1.0	
		ANGLES = ±1°	

APPROVED	CHECKED	DRAWN	DRAWN DATE
		ARNQ	03/06/23

<p>華耀科技有限公司 Hua Yao Technologies co.,Ltd</p>	<p>TITLE</p> <p>SMA1011-N1158</p>
<p>DRAWING NO.</p> <p>11582/174/316/100/10111-AL</p>	<p>REV</p> <p>A</p>
<p>FILE NO.</p> <p>D:\DWG\SMA1011-N1158\11582/174/316/100/10111-AL</p>	