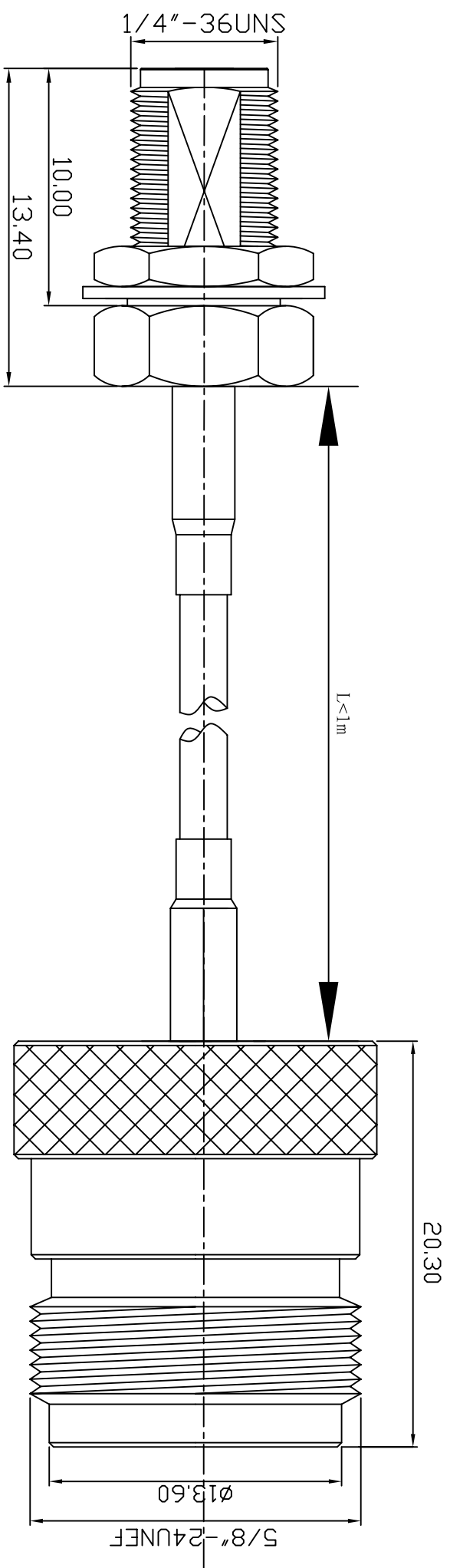



REV	DESCRIPTION	DRAWN	DATE



NO	Description	Qty	Material	Finish
3	N-1111-8-L-TGN	1	BRASS	GOLD
2	RG174/RG316/LLC100	1		
1	SMA-1012-7-L-TGG	1	BRASS	GOLD

1 REMOVE ALL BURRS 2 BREAK ALL CORNERS & EDGES CO.15 MAX. 3 CHAMFER 1ST & LAST THREADS 45° 4 DIAMETERS ON COMMON CENTERS TO BE CONCENTRIC WITH DIMENSIONS ARE AFTER PLATING.		*MAJOR DIMENSION UNLESS OTHERWISE NOTED TOLERANCES 0.5-6=±0.2 6-30=±0.4 30-120=±0.6 120-315=±1.0 ANGLES=±1°		APPROVED CHECKED DRAWN ARNO		 華耀科技有限公司 Hua Yao Technologies co.,Ltd	
SCALE	4/1	UNIT	MM	DRAWN DATE	03/06/23	FILE NO.	D:\DWG\SMA1012-N1111\11118/174/316/100/10127-IL
				TITLE	SMA1012-N1111		
				DRAWING NO.	11118/174/316/100/10127-IL		
				REV	A		