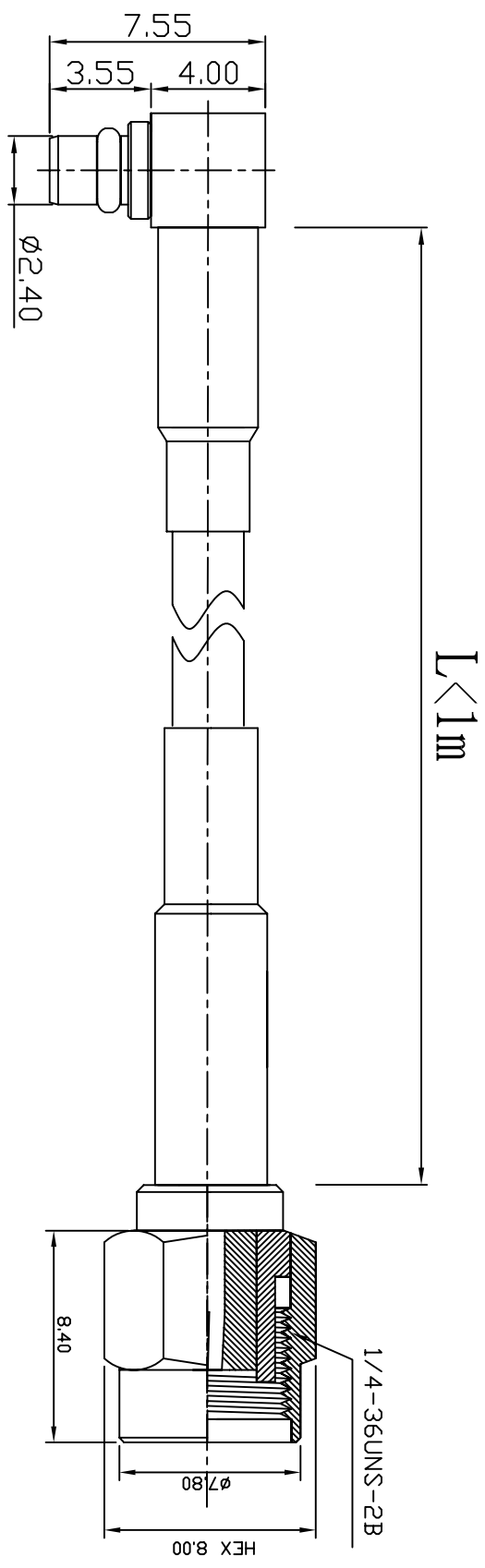



REV	DESCRIPTION	DRAWN	DATE



NO	Description	Qty	Material	Finish
3	SMA-1001-3-RP-L-TGG	1	BRASS	GOLD
2	RG174/RG316/LLC100	1		
1	MMCX-802-1-L-TGG	1	BRASS	GOLD

1 REMOVE ALL BURRS 2 BREAK ALL CORNERS & EDGES CO.15 MAX. 3 CHAMFER 15° & LAST THREADS 45°. 4 DIAMETERS ON COMMON CENTERS 5 ALL DIMENSIONS ARE AFTER PLATING.		*MAJOR DIMENSION UNLESS OTHERWISE NOTED TOLERANCES 0.5-6=±0.2 6-30=±0.4 30-120=±0.6 120-315=±1.0 ANGLES=±1°		APPROVED CHECKED DRAWN PEN		 華耀科技有限公司 Hua Yao Technologies co.,Ltd TITLE MMCX802-SMA1001 DRAWING NO. 8021/174/316/100/10013R-IL REV A	
SCALE	4/1	UNIT	MM	DRAWN DATE	08/11/04	FILE NO.	D:\DWG\MMCX802-SMA1001\8021/174/316/100/10013R-IL