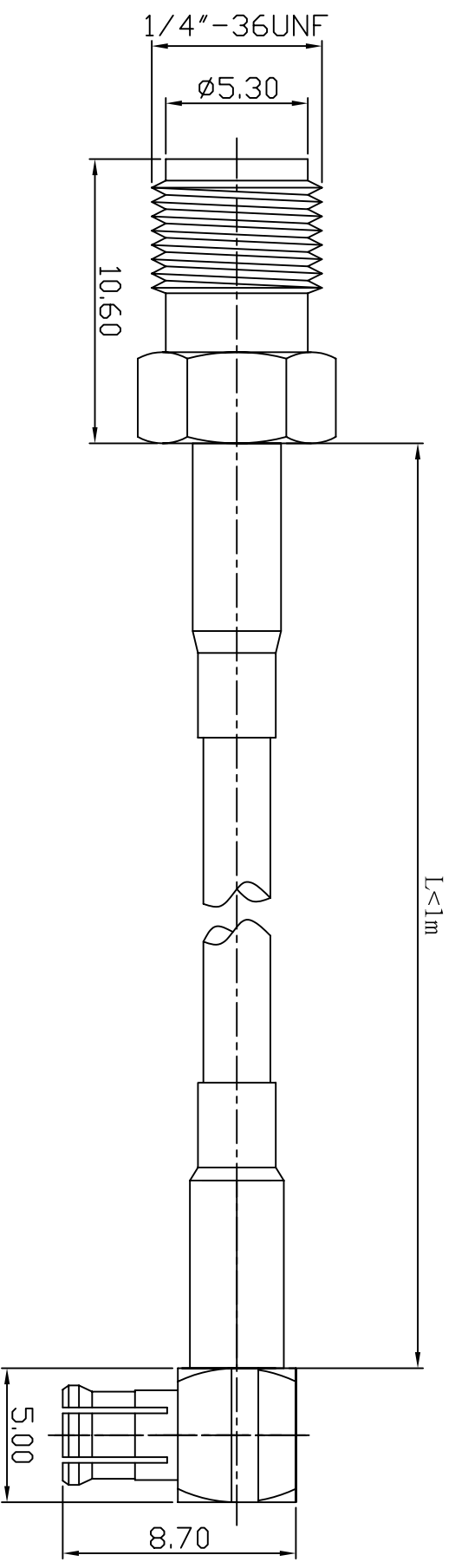



REV	DESCRIPTION	DRAWN	DATE



NO	Description	Qty	Material	Finish
3	MCX-902-1-L-TGG	1	BRASS	GOLD
2	RG174/RG316/LLC100	1		
1	SMA-1011-1-L-TGG	1	BRASS	GOLD

1 REMOVE ALL BURRS 2 BREAK ALL CORNERS & EDGES CO.15 MAX. 3 CHAMFER 1ST & LAST THREADS 45°. 4 DIAMETERS ON COMMON CENTERS TO BE CONCENTRIC WITH DIMENSIONS ARE AFTER PLATING.		*MAJOR DIMENSION UNLESS OTHERWISE NOTED TOLERANCES 0.5-6 = $\pm 0.2$ 6-30 = $\pm 0.4$ 30-120 = $\pm 0.6$ 120-315 = $\pm 1.0$ ANGLES = $\pm 1^\circ$		APPROVED CHECKED DRAWN ARNO		 <b>華耀科技有限公司</b> <i>Hua Yao Technologies co.,Ltd</i>	
SCALE	4/1	UNIT	MM	DRAWN DATE	03/06/23	FILE NO.	D:\DWG\SMA1011-MCX902\9021/174/316/100/10111-IL
TITLE				DRAWING NO.			
SMA1011-MCX902				9021/174/316/100/10111-IL			
REV				A			