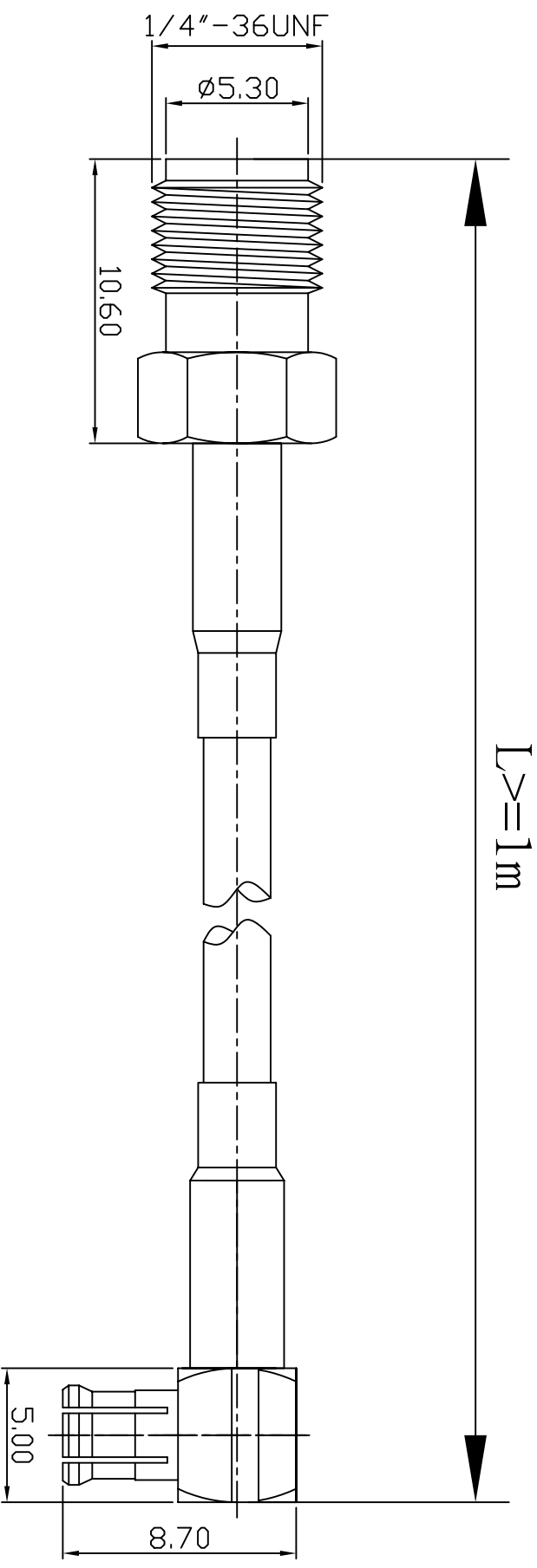


REV	DESCRIPTION	DRAWN	DATE



NO	Description	Qty	Material	Finish
3	MCX-902-1-L-TGG	1	BRASS	GOLD
2	RG174/RG316/LLC100	1		
1	SMA-1011-1-L-TGG	1	BRASS	GOLD

UNLESS OTHERWISE SPECIFIED		*MAJOR DIMENSION		APPROVED	
1 REMOVE ALL BURRS		UNLESS OTHERWISE		CHECKED	
2 BREAK ALL CORNERS & EDGES CO.15 MAX.		NOTED TOLERANCES		DRAWN	
3 CHAMFER 1ST & LAST THREADS 45°		0.5-6 = ± 0.2		ARNO	
4 DIAMETERS ON COMMON CENTERS		6-30 = ± 0.4		DRAWN DATE 03/06/23	
5 ALL DIMENSIONS ARE AFTER PLATING.		30-120 = ± 0.6		FILE NO. D:\DWG\SMA1011-MCX902\9021\174\316\100\10111-AL	
		120-315 = ± 1.0		TITLE	
		ANGLES = $\pm 1^\circ$		SMA1011-MCX902	
				DRAWING NO. 9021/174/316/100/10111-AL	
				REV A	


華耀科技有限公司
 Hua Yao Technologies co.,Ltd